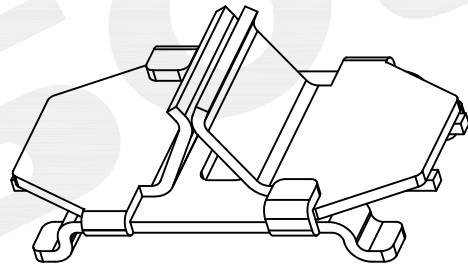
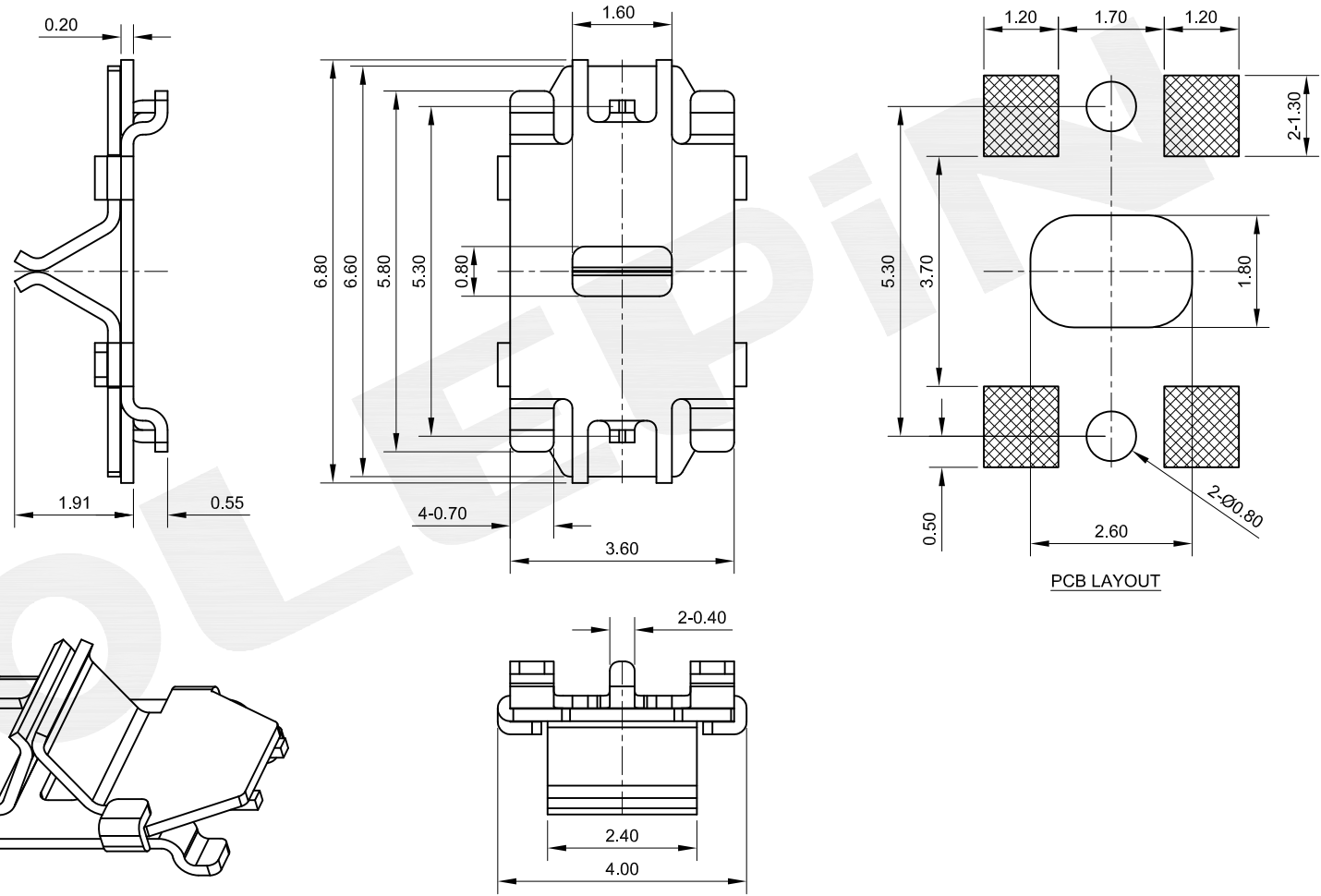


NOTES:  
 VOLTAGE RATING:275V.AC/DC  
 CURRENT RATING:1A  
 CONTACT RESISTANCE:≤60mΩ  
 INSULATION RESISTANCE:≥100MΩ  
 WITHSTANDING VOLTAGE:500V.AC/1MIN  
 DURABILITY:≥100 MATING CYCLES  
 TEMPERATURE RANGE: -25℃-105℃  
 CONTACT MATERIAL:C5191

PART NO:1013 - A00MXX02

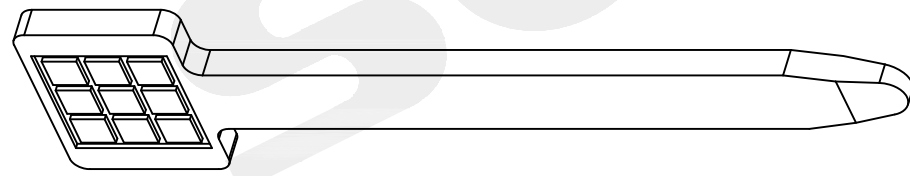
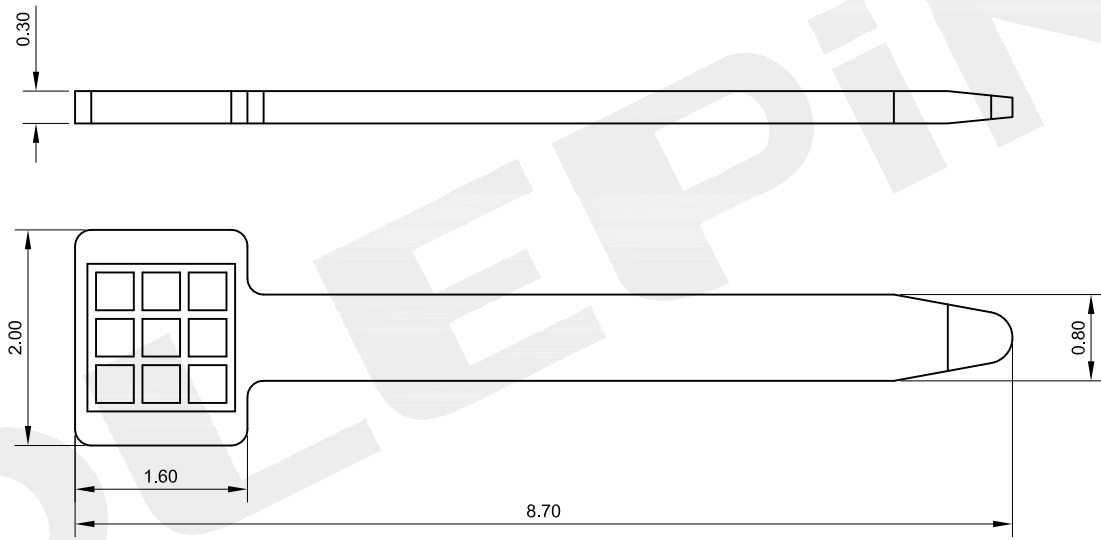
SN:TIN



					OPERATION	DRAW	Loong	2018/11/24	SCALE	FIT	<b>SOLEPIN</b> 东莞市硕品电子有限公司 DONGGUAN SOLEPIN ELECTRONICS CO., LTD. Specializing in the production of connectors and wiring harness products. HTTP://WWW.SOLEPIN.COM E-MAIL:SALES@SOLEPIN.COM TEL:0769-83003805 FAX:0769-83003036
					X.X ±0.40	DESIGN	Jensen	2018/11/24	UNIT	mm	
					X.XX ±0.25		CHECK	Jack	2018/11/24	SIZE	
A/0	2018/11/24	NEW	Loong	Andy	X.XXX ±0.15	APPROVE		Andy	2018/11/24	SHEET	
REV	DATE	MODIFICATION DESCRIPTION	CHANGE	APPROVE	Angle ±3°				PROJ.	⊕	TITLE: LED CONNECTOR
					DIM TOL						DWG.No.

NOTES:  
 VOLTAGE RATING:275V.AC/DC  
 CURRENT RATING:1A  
 CONTACT RESISTANCE:≤60mΩ  
 INSULATION RESISTANCE:≥100MΩ  
 WITHSTANDING VOLTAGE:500V.AC/1MIN  
 DURABILITY:≥100 MATING CYCLES  
 TEMPERATURE RANGE: -25℃-105℃  
 CONTACT MATERIAL:BRASS

PART NO:1014 - A00MXX01  
 SN:TIN



					OPERATION	DRAW	Loong	2018/11/28	SCALE	FIT	<b>SOLEPIN</b> 东莞市硕品电子有限公司		
					X.X ±0.40	DESIGN	Jensen	2018/11/28	UNIT	mm	DONGGUAN SOLEPIN ELECTRONICS CO., LTD.		
					X.XX ±0.25		Jack	2018/11/28	SIZE	A4	PART NO.	1014-A00MXX01	
A/0	2018/11/28	NEW	Loong	Andy	X.XXX ±0.15		Loong	2018/11/28	SHEET	1/1	TITLE:	LED TERMINAL	
REV	DATE	MODIFICATION DESCRIPTION	CHANGE	APPROVE	Angle ±3°	APPROVE	Loong	2018/11/28	PROJ.		DWG.No.		
					DIM TOL								

Specializing in the production of connectors and wiring harness products.  
 HTTP://WWW.SOLEPIN.COM E-MAIL:SALES@SOLEPIN.COM TEL:0769-83003805 FAX:0769-83003036