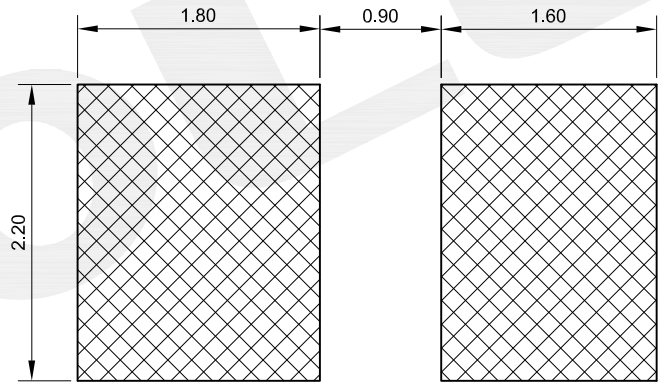
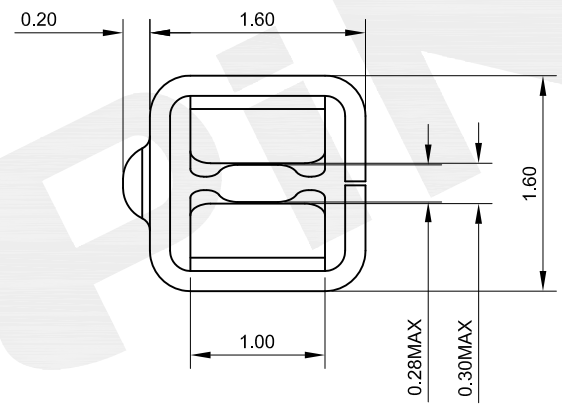
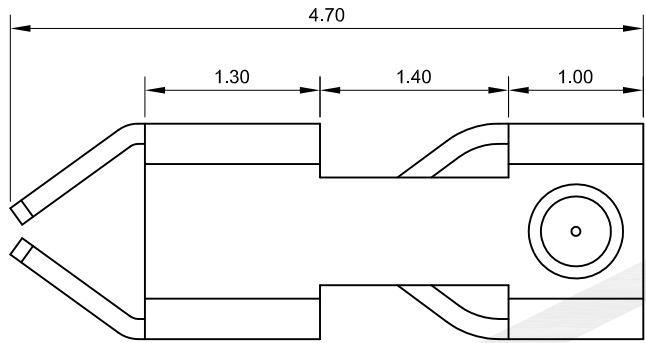
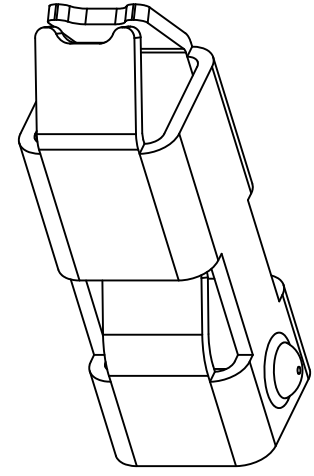


**NOTES:**  
 CONTACT MATERIAL: BRASS  
 VOLTAGE RATING: 250V AC/DC  
 CURRENT RATING: 3A  
 CONTACT RESISTANCE:  $\leq 20m\Omega$   
 TEMPERATURE RANGE: -25°C-125°C

PART NO: 1040-A00MXX01  
 SN: TIN



PCB LAYOUT



					OPERATION	DRAW	Loong	20190103	SCALE	FIT	<b>SOLEPIN</b> 东莞市硕品电子有限公司 DONGGUAN SOLEPIN ELECTRONICS CO., LTD. Specializing in the production of connectors and wiring harness products. HTTP://WWW.SOLEPIN.COM E-MAIL:SALES@SOLEPIN.COM TEL:0769-83003805 FAX:0769-83003036
					X.X ±0.40	DESIGN	Jensen	20190103	UNIT	mm	
					X.XX ±0.25		CHECK	Jack	20190103	SIZE	
A/1	20190103	NEW	Loong	Andy	X.XXX ±0.15	APPROVE		Andy	20190103	SHEET	
REV	DATE	MODIFICATION DESCRIPTION	CHANGE	APPROVE	Angle ±3°	DIM	TOL	APPROVE	PROJ.	⊕	TITLE: LED TERMINAL
											DWG.No.