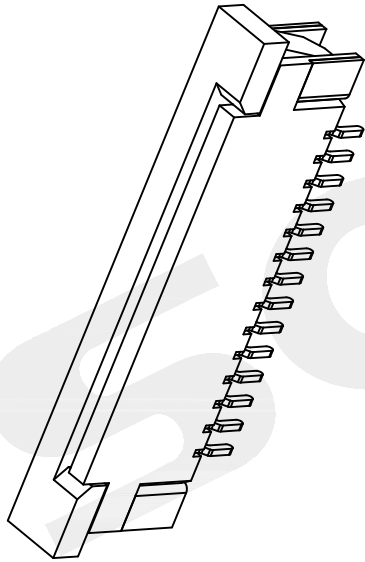
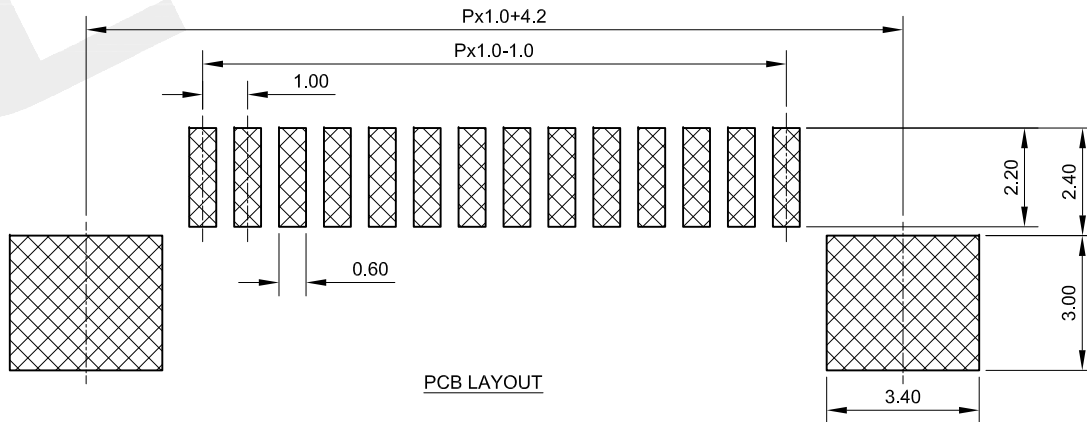
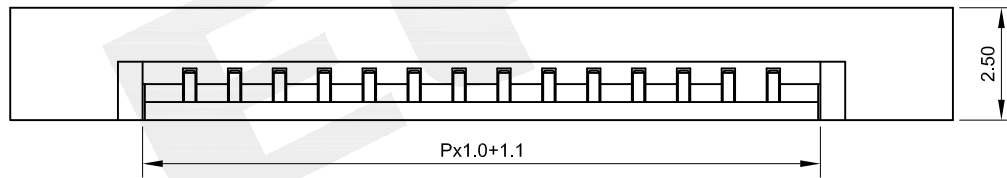
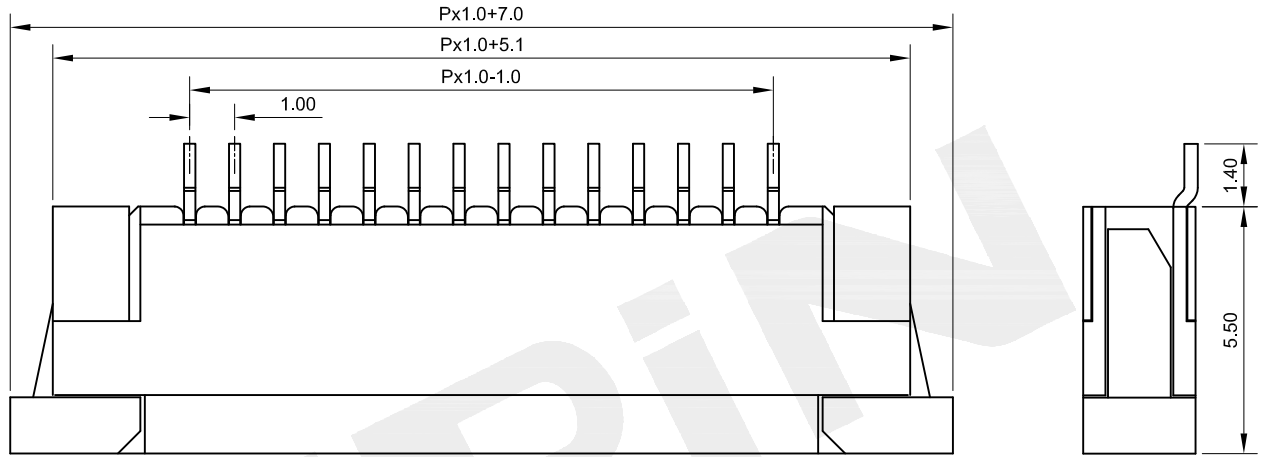


NOTES:  
 INSULATOR MATERIAL:THERMOPLASTIC,UL94 V-0  
 CONTACT MATERIAL:PHOSPHOR BRONZE  
 CURRENT RATING:0.5A  
 VOLTAGE RATING:50V,AC/DC  
 DIELECTRIC WITHSTAND VOLTAGE:200V,AC/MINUTE  
 CONTACT RESISTANCE:30 mΩ MAX  
 OPERATION TEMPERATURE:-25℃ TO +85℃

PART NO:1039-MXXMXX01

NO.of Pins  
 Contact Plating  
 G0=Gold Flash  
 SN:TIN



					OPERATION	DRAW	Loong	2018/11/08	SCALE	FIT	<b>SOLEPIN</b> 东莞市硕品电子有限公司 DONGGUAN SOLEPIN ELECTRONICS CO., LTD. Specializing in the production of connectors and wiring harness products. HTTP://WWW.SOLEPIN.COM E-MAIL:SALES@SOLEPIN.COM TEL:0769-83003805 FAX:0769-83003036
					X.X ±0.40	DESIGN	Jensen	2018/11/08	UNIT	mm	
					X.XX ±0.25	CHECK	Jack	2018/11/08	SIZE	A4	
					X.XXX ±0.15	APPROVE	Andy	2018/11/08	SHEET	1/1	
A/1	2018/11/08	NEW	Loong	Andy	Angle ±3°	APPROVE	Andy	2018/11/08	PROJ.	⊕	PART NO. 1039-MXXMXX01
REV	DATE	MODIFICATION DESCRIPTION	CHANGE	APPROVE	DIM TOL						TITLE: PIN HEADER PITCH 2.0MM DIP