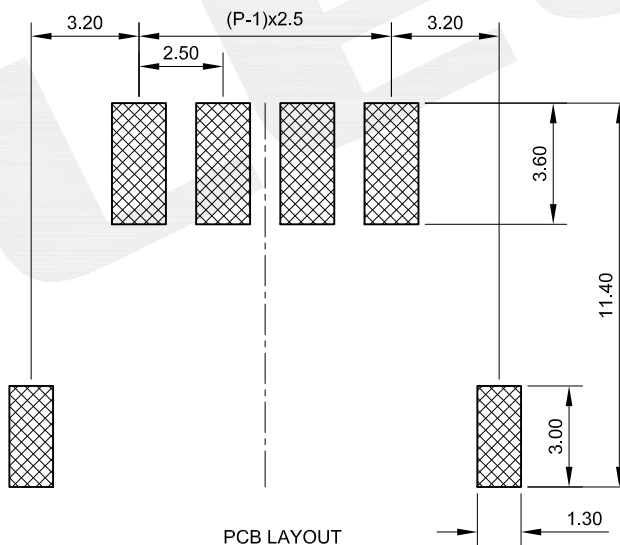
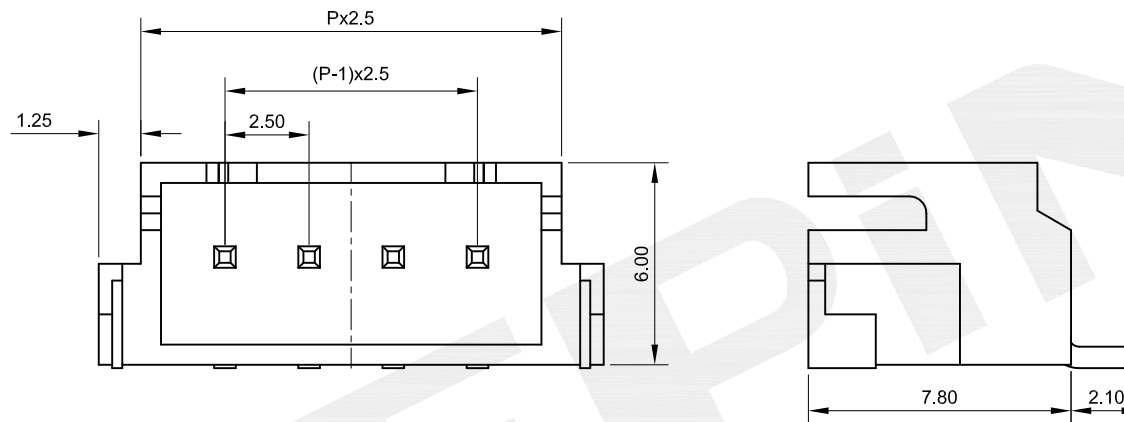


NOTES:
 INSULATOR MATERIAL: NYLON-6T
 CONTACT MATERIAL: BRASS
 CURRENT RATING: 2A
 INSULATION RESISTANCE: 5000MΩ MIN AT DC 500V
 DIELECTRIC WITHSTANDING: AC 500V
 OPERATION TEMPERATURE: -40°C TO +105°C

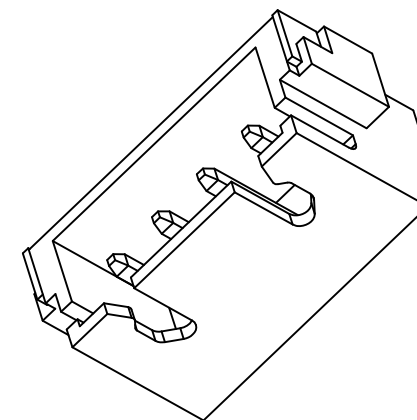
PART NO: 1036-MXXMXX01

SN: TIN

04:4PIN



PCB LAYOUT



					OPERATION	DRAW	Loong	2018/11/08	SCALE	FIT	SOLEPIN 东莞市硕品电子有限公司 DONGGUAN SOLEPIN ELECTRONICS CO., LTD. Specializing in the production of connectors and wiring harness products. HTTP://WWW.SOLEPIN.COM E-MAIL:SALES@SOLEPIN.COM TEL:0769-83003805 FAX:0769-83003036
					X.X ±0.40	DESIGN	Jensen	2018/11/08	UNIT	mm	
					X.XX ±0.25	CHECK	Jack	2018/11/08	SIZE	A4	
					X.XXX ±0.15	APPROVE	Andy	2018/11/08	SHEET	1/1	
A/1	2018/11/08	NEW	Loong	Andy	Angle ±3°				PROJ.	⊕	PART NO. 1036-MXXMXX01
REV	DATE	MODIFICATION DESCRIPTION	CHANGE	APPROVE	DIM TOL						TITLE: XH2.0 CONNECTOR