

NOTES:

INSULATOR MATERIAL:PP UL94V-0
 CONTACT MATERIAL:SUS+BRASS
 CURRENT RATING:10A
 VOLTAGE RATING:380V
 WIRE SIZE:AWG24-12
 OPERATION TEMPERATURE:-40°C TO +105°C

PART NO:

1031-A XX X XX 01

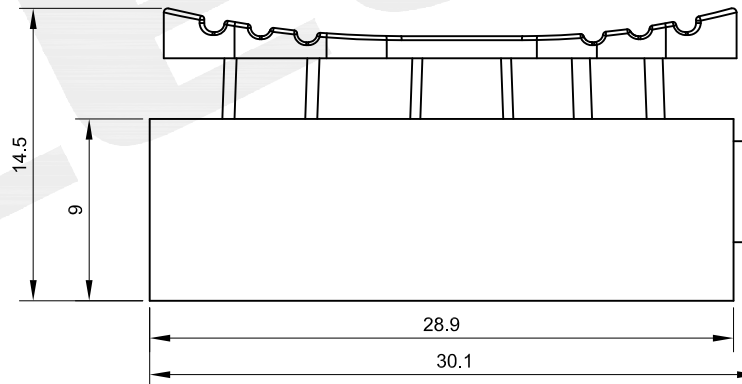
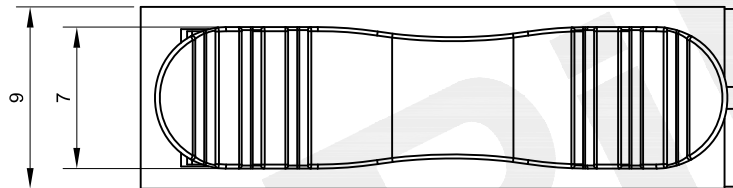
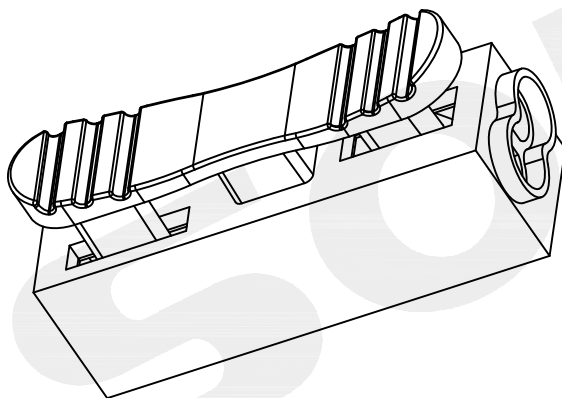
No.of Pins

N/A

METAL PLATING

XX:N/A

SN:TIN



						OPERATION	DRAW	Loong	20181218	SCALE	FIT	SOLEPIN 东莞市硕品电子有限公司	
						X.X ±0.40	DESIGN	Jensen	20181218	UNIT	mm	DONGGUAN SOLEPIN ELECTRONICS CO., LTD.	
						X.XX ±0.25				SIZE	A4	PART NO.	1031-AXXXXX01
A/1	20181218	NEW	Loong	Andy		X.XXX ±0.15	CHECK	Jack	20181218	SHEET	1/1	TITLE:	Wire TO Wire Connector
REV	DATE	MODIFICATION DESCRIPTION	CHANGE	APPROVE		Angle ±3°	APPROVE	Andy	20181218	PROJ.		DWG.No.	
						DIM TOL							

SOLEPIN 东莞市硕品电子有限公司
 DONGGUAN SOLEPIN ELECTRONICS CO., LTD.
 Specializing in the production of connectors and wiring harness products.
 HTTP://WWW.SOLEPIN.COM E-MAIL:SALES@SOLEPIN.COM TEL:0769-83003805 FAX:0769-83003036