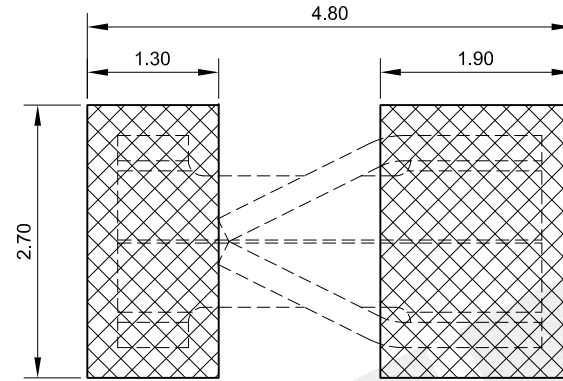


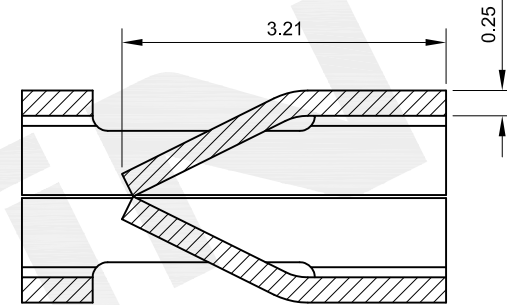
NOTES:
 CONTACT MATERIAL:PHOSPHOR BRONZE
 VOLTAGE RATING:275V.AC/DC
 CURRENT RATING:1A
 CONTACT RESISTANCE:≤60mΩ
 INSULATION RESISTANCE:≥100MΩ
 WITHSTANDING VOLTAGE:500V.AC/1MIN
 DURABILITY:≥100 MATING CYCLES
 TEMPERATURE RANGE: -25°C-105°C

PART NO:1010-02MSN01

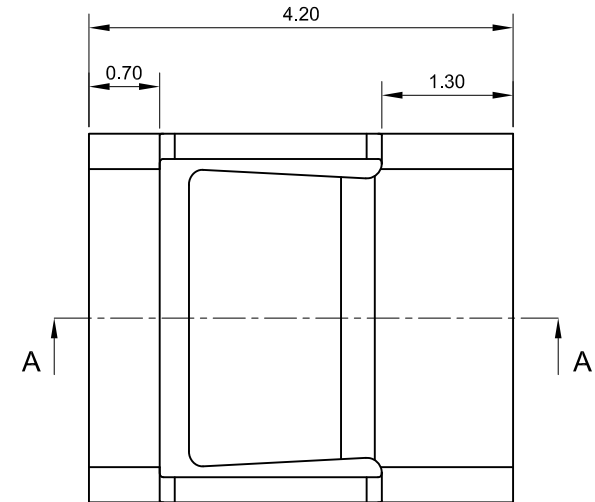
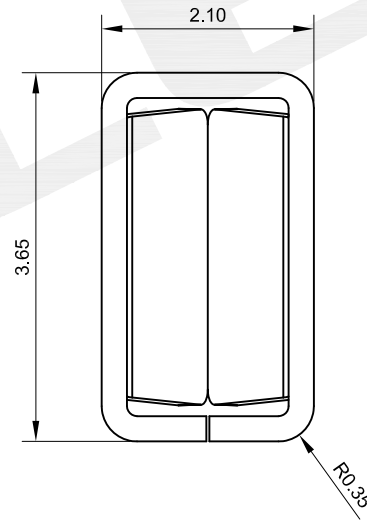
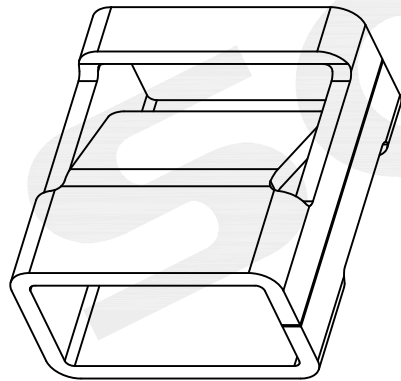
SN:TIN



PCB LAYOUT



SECTION A-A



					OPERATION	DRAW	Loong	20181127	SCALE	FIT	SOLEPIN 东莞市硕品电子有限公司 DONGGUAN SOLEPIN ELECTRONICS CO., LTD. Specializing in the production of connectors and wiring harness products. HTTP://WWW.SOLEPIN.COM E-MAIL:SALES@SOLEPIN.COM TEL:0769-83003805 FAX:0769-83003036
					X.X ±0.30	DESIGN	Jensen	20181127	UNIT	mm	
					X.XX ±0.20	CHECK	Jack	20181127	SIZE	A4	
					X.XXX ±0.10	APPROVE	Andy	20181127	SHEET	1/1	
A/1	20181127	NEW	Loong	Andy	Angle ±3°				PART NO.	1010-02MSN01	
REV	DATE	MODIFICATION DESCRIPTION	CHANGE	APPROVE	DIM TOL	APPROVE	Andy	20181127	TITLE:	LED CONNECTORS	
									PROJ.	DWG.No.	