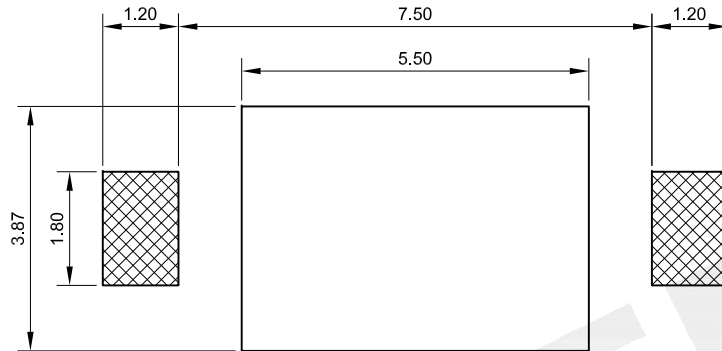


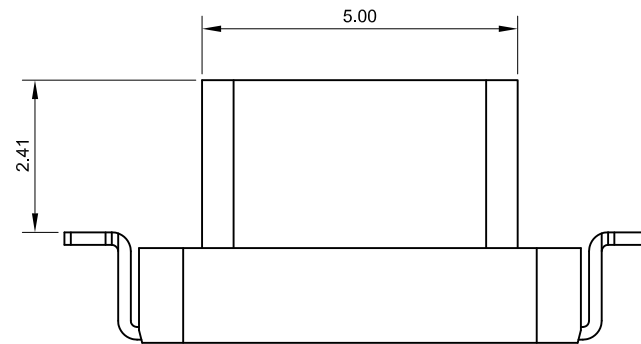
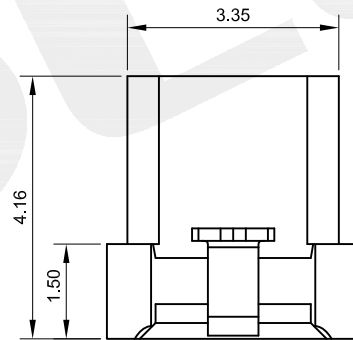
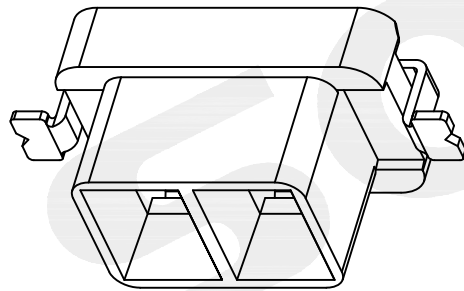
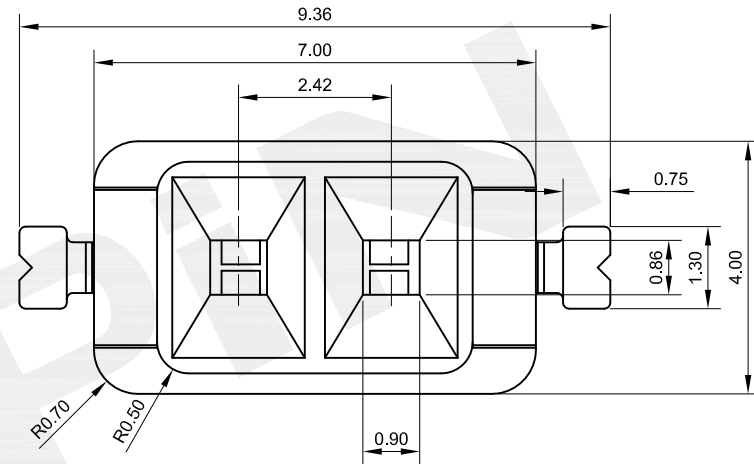
NOTES:  
 CONTACT MATERIAL:PHOSPHOR BRONZE  
 INSULATION MATERIAL:LCP UL94V-0  
 LIFTING PULL:3KG  
 CURRENT RATIONG:1A  
 INSULATION RESISTANCE:100MΩ MIN  
 DIELECTRIC WITHSTANDING:500V AC/DC  
 CONTACT RESISTANCE:20mΩ MAX  
 REFLOW:270°C/3MINUTES  
 OPERATING TEMPERATURE:-40°C~+105°C

PART NO:1008-02MXX01

SN:TIN



PCB LAYOUT



					OPERATION	DRAW	Loong	20180306	SCALE	FIT	<b>SOLEPIN</b> 东莞市硕品电子有限公司	
					X.X ±0.40	DESIGN	Jensen	20180306	UNIT	mm	DONGGUAN SOLEPIN ELECTRONICS CO., LTD.	
					X.XX ±0.25		Jack	20180306	SIZE	A4	PART NO.	1008-02MXX01
					X.XXX ±0.15				SHEET	1/2	TITLE:	LED 2PIN CONNECTOR
A/1	20180306	NEW	Loong	Andy	Angle ±3°	APPROVE	Andy	20180306	PROJ.		DWG.No.	
REV	DATE	MODIFICATION DESCRIPTION	CHANGE	APPROVE	DIM TOL							

Specializing in the production of connectors and wiring harness products.  
[HTTP://WWW.SOLEPIN.COM](http://www.solepin.com) E-MAIL:SALES@SOLEPIN.COM TEL:0769-83003805 FAX:0769-83003036