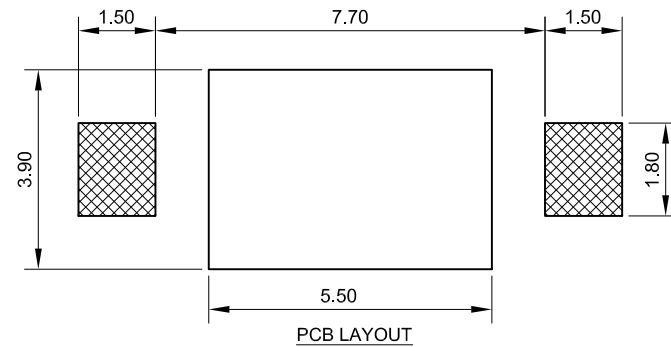
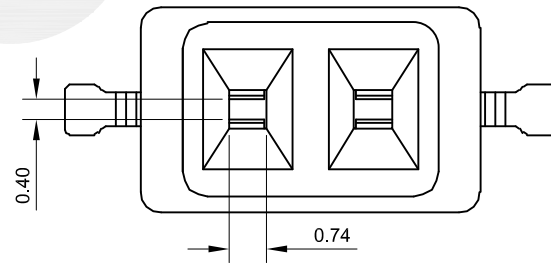
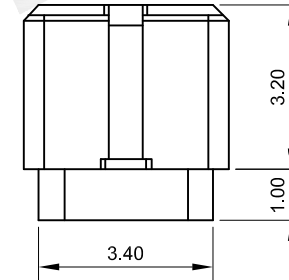
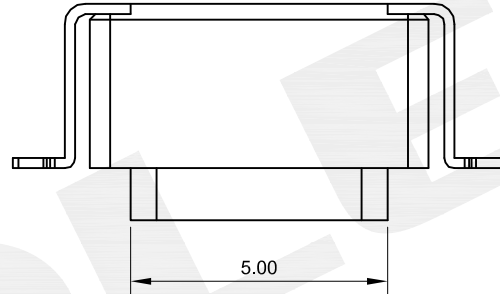
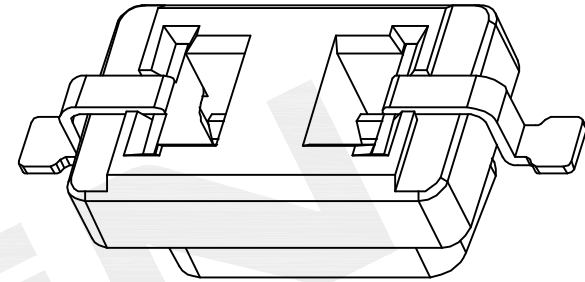
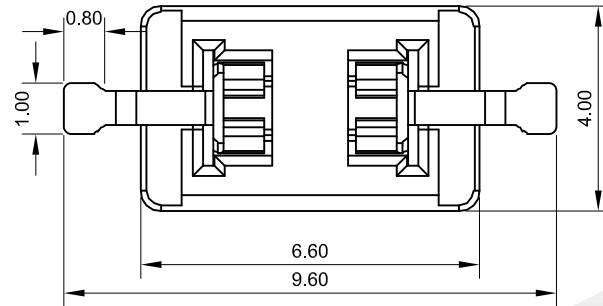


NOTES:
 INSULATION MATERIAL:PA9T UL94V-0
 CONTACT MATERIAL:BRASS
 CURRENT RATIONG:1A
 INSULATION RESISTANCE:100MΩ MIN
 DIELECTRIC WITHSTANDING:500V AC/DC
 CONTACT RESISTANCE:20mΩ MAX
 OPERATING TEMPERATURE:-40℃~+105℃

PART NO:1005- F02MXX01

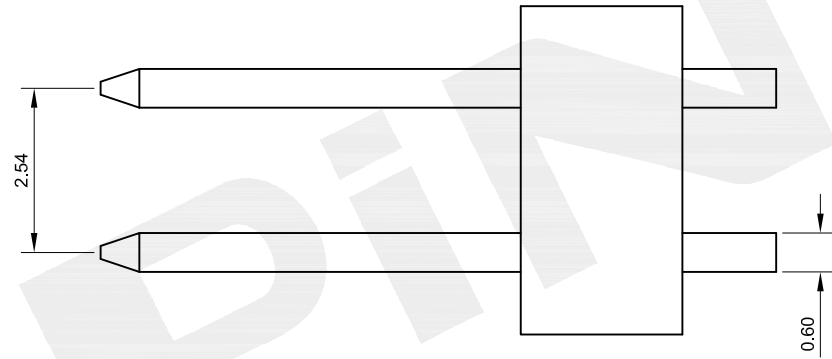
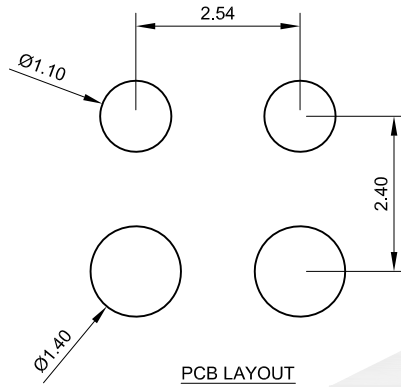
SN:TIN



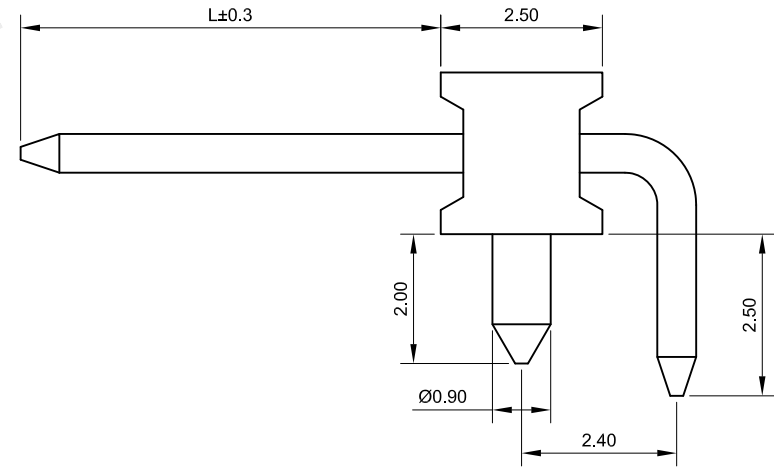
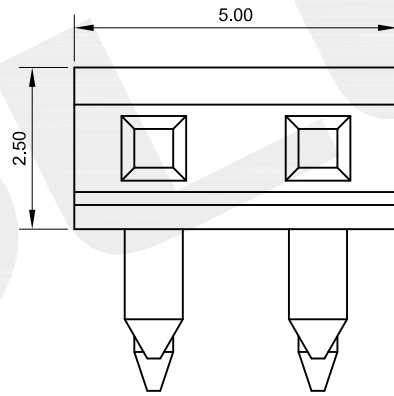
					OPERATION	DRAW	Loong	20181108	SCALE	FIT	SOLEPIN 东莞市硕品电子有限公司 DONGGUAN SOLEPIN ELECTRONICS CO., LTD. Specializing in the production of connectors and wiring harness products. HTTP://WWW.SOLEPIN.COM E-MALL:SALES@SOLEPIN.COM TEL:0769-83003805 FAX:0769-83003036
					X.X ±0.30	DESIGN	Jensen	20181108	UNIT	mm	
					X.XX ±0.20	CHECK	Jack	20181108	SIZE	A4	
					X.XXX ±0.10	APPROVE	Andy	20181108	SHEET	1/1	
A/1	20181108	NEW	Loong	Andy	Angle ±3°				TITLE:	LED 2PIN CONNECTOR	
REV	DATE	MODIFICATION DESCRIPTION	CHANGE	APPROVE	DIM TOL				PROJ.	DWG.No.	

NOTES:
 INSULATOR MATERIAL:PA9T UL94V-0
 CONTACT MATERIAL:BRASS
 CURRENT RATING:2A
 INSULATION RESISTANCE:1000MΩ MIN
 DIELECTRIC WITHSTANDING: 600V AC/DC
 CONTACT RESISTANCE:20mΩ MAX
 OPERATION TEMPERATURE:-40℃ TO +105℃

PART NO:
 1006-M02R XX 01
 SN: Tin



1006-M02RXX01	L=6.5mm
1006-M02RXX02	L=7.5mm
1006-M02RXX03	L=8.5mm
1006-M02RXX04	L=9.0mm



					OPERATION	DRAW	Loong	20180306	SCALE	FIT	SOLEPIN 东莞市硕品电子有限公司		
					X.X ±0.40	DESIGN	Jensen	20180306	UNIT	mm	DONGGUAN SOLEPIN ELECTRONICS CO., LTD. Specializing in the production of connectors and wiring harness products. HTTP://WWW.SOLEPIN.COM E-MAIL:SALES@SOLEPIN.COM TEL:0769-83003805 FAX:0769-83003036		
					X.XX ±0.25				SIZE	A4	PART NO.	1006-M02RXXXX	
A/1	20180306	NEW	Loong	Andy	X.XXX ±0.15				CHECK	Jack	20180306	SHEET	1/1
REV	DATE	MODIFICATION DESCRIPTION	CHANGE	APPROVE	Angle ±3°	APPROVE	Andy	20180306	PROJ.		DWG.No.		
					DIM TOL								