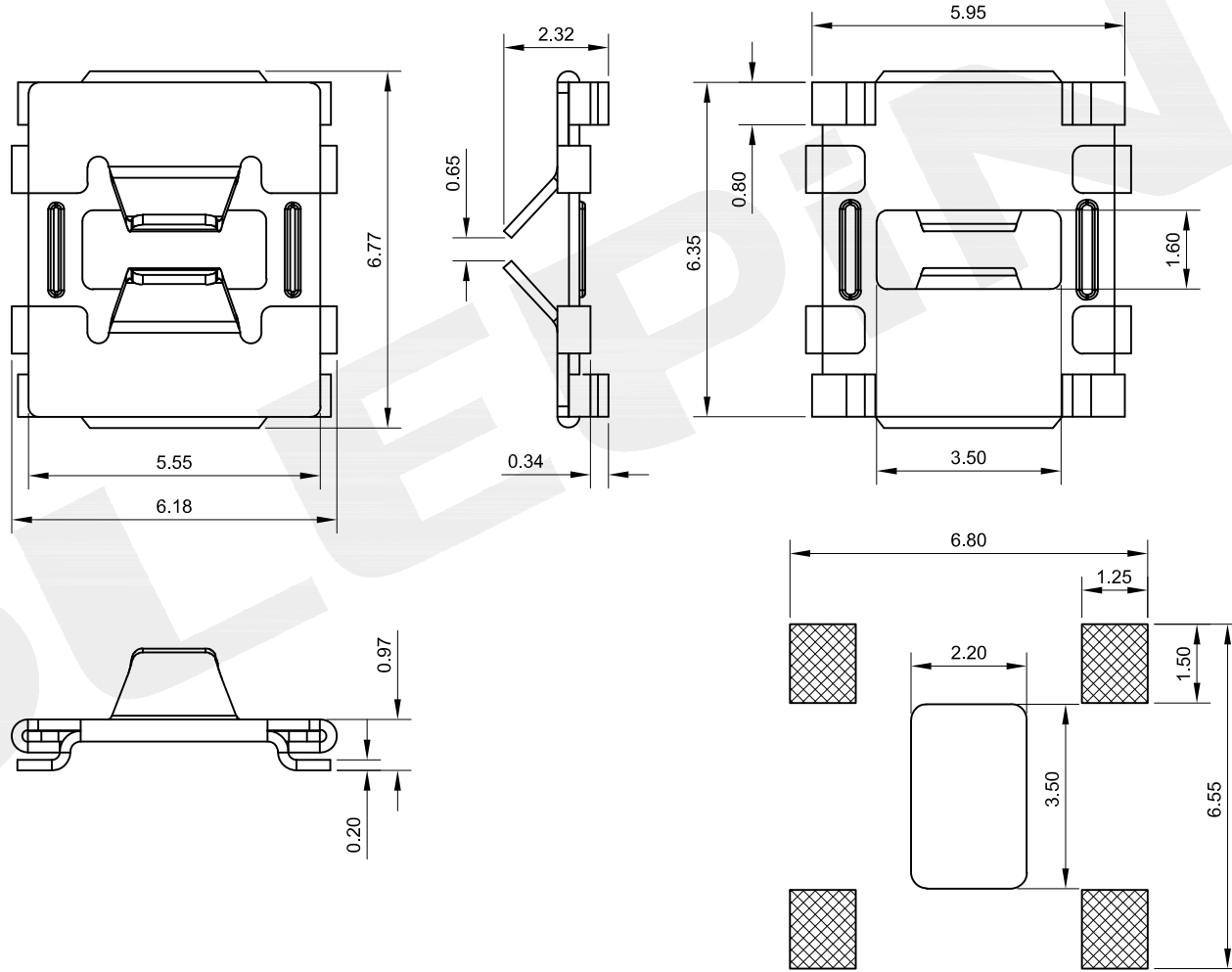


NOTES:
 CONTACT MATERIAL: PHOSPHOR BRONZE OR BRASS
 VOLTAGE RATING: 275V.AC/DC
 CURRENT RATING: 1A
 CONTACT RESISTANCE: $\leq 60m\Omega$
 INSULATION RESISTANCE: $\geq 100M\Omega$
 WITHSTANDING VOLTAGE: 500V.AC/1MIN
 DURABILITY: ≥ 100 MATING CYCLES
 TEMPERATURE RANGE: -25°C-105°C

PART NO: 1001 - A00MXX01
 SN: TIN



PCB LAYOUT

					OPERATION	DRAW	Loong	2018/11/08	SCALE	FIT	SOLEPIN 东莞市硕品电子有限公司 DONGGUAN SOLEPIN ELECTRONICS CO., LTD. Specializing in the production of connectors and wiring harness products. HTTP://WWW.SOLEPIN.COM E-MAIL:SALES@SOLEPIN.COM TEL:0769-83003805 FAX:0769-83003036
					X.X ±0.40	DESIGN	Jensen	2018/11/08	UNIT	mm	
					X.XX ±0.25	CHECK	Jack	2018/11/08	SIZE	A4	
					X.XXX ±0.15	APPROVE	Andy	2018/11/08	SHEET	1/1	
A/1	2018/11/08	NEW	Loong	Andy	Angle ±3°				PART NO.	1001-A00MXX01	
REV	DATE	MODIFICATION DESCRIPTION	CHANGE	APPROVE	DIM TOL				TITLE:	LED CONNECTOR	
									PROJ.	DWG.No.	