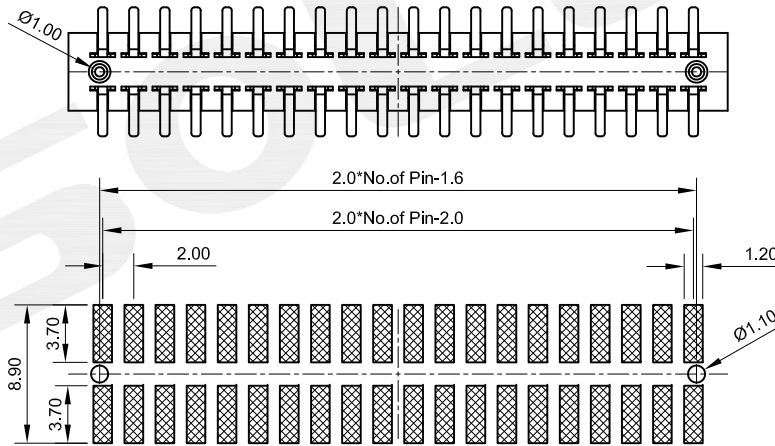
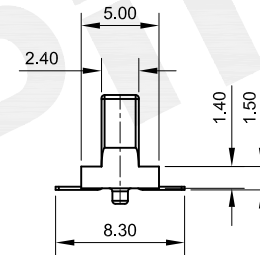
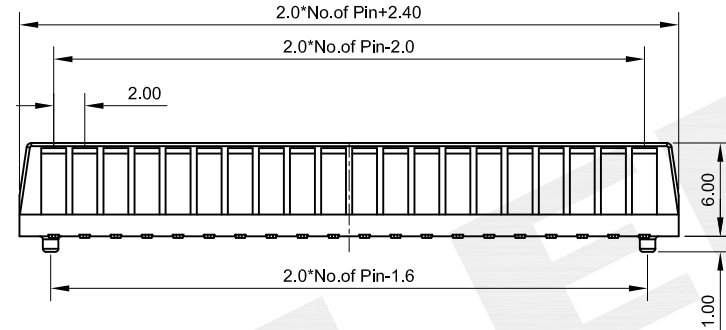
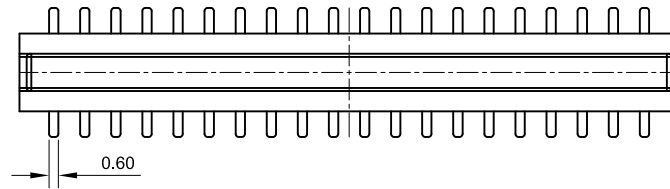


NOTES:
 INSULATOR MATERIAL: POLYESTER, UL 94V-0
 CONTACT MATERIAL: PHOSPHOR BRONZE
 CURRENT RATING: 1.5A
 CONTACT RESISTANCE: 20mΩ
 INSULATION RESISTANCE: 500MΩ
 DIELECTRIC WITHSTANDING: AC 550V
 OPERATION TEMPERATURE: -40°C ~ +105°C

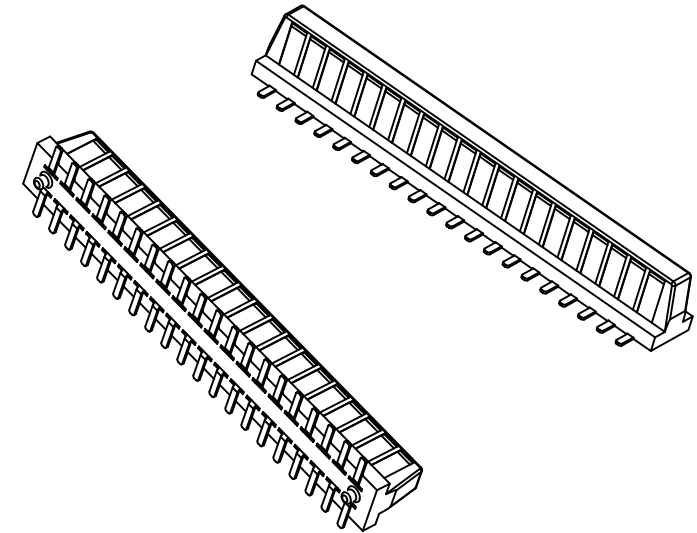
PART NO: 6662 - M XX XX X 01

No. of Pins
 40: 40pin
 3: PA9T
 4: LCP

G0=Gold Flash
 G1=1u" Gold
 G3=5u" Gold
 G5=10u" Gold
 S0=Gold Flash/Tin
 S1=1u" Gold/Tin
 S3=5u" Gold/Tin
 S5=10u" Gold/Tin
 SN:TIN



PCB LAYOUT



					OPERATION	DRAW	Loong	2016/11/08	SCALE	FIT	SOLEPIN 东莞市硕品电子有限公司 DONGGUAN SOLEPIN ELECTRONICS CO., LTD. Specializing in the production of connectors and wiring harness products. HTTP://WWW.SOLEPIN.COM E-MAIL:SALES@SOLEPIN.COM TEL:0769-83003805 FAX:0769-83003036		
					X.X ±0.40	DESIGN	Jensen	2016/11/08	UNIT	mm			
					X.XX ±0.25				SIZE	A4		PART NO.	6662-MXXXXX01
A/1	2016/11/08	NEW	Loong	Andy	X.XXX ±0.15	CHECK	Jack	2016/11/08	SHEET	1/1		TITLE:	2.0mm Connector/M
REV	DATE	MODIFICATION DESCRIPTION	CHANGE	APPROVE	Angle ±3°	APPROVE	Andy	2016/11/08	PROJ.			DWG.No.	
					DIM TOL								