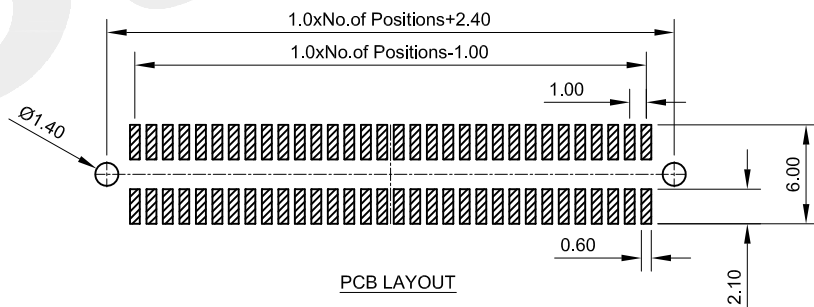
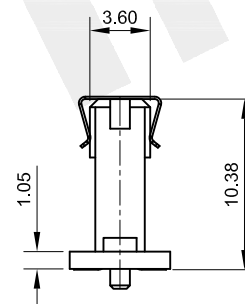
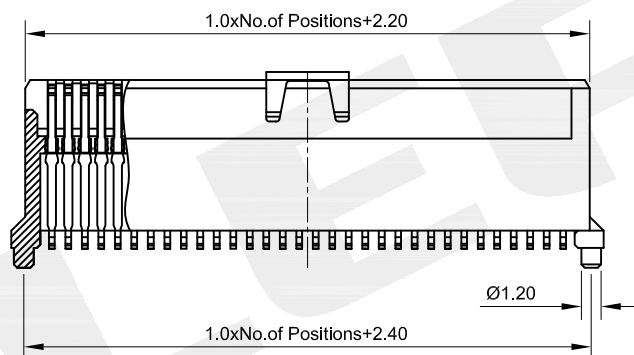
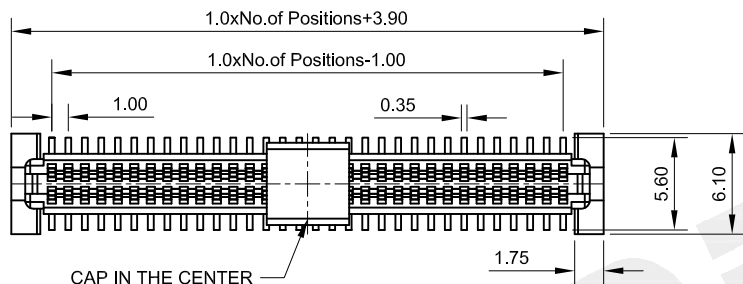


NOTES:
 CURRENT RATING:1A
 CONTACT RESISTANCE:30mΩ MAX
 WITHSTAND VOLTAGE:500V AC/DC
 INSULATION RESISTANCE:500MΩ MIN
 OPERATION TEMPERATURE:-40℃ TO +105℃
 CONTACT MATERIAL:PHOSPHOR BRONZE
 INSULATOR MATERIAL:LCP UL94V-0

PART NO:6644- F XX XX X 01

No.of pins _____ 4:LCP

G0=Gold Flash
 G1=1u" Gold
 G3=5u" Gold
 G5=10u" Gold
 S0=Gold Flash/Tin
 S1=1u" Gold/Tin
 S3=5u" Gold/Tin
 S5=10u" Gold/Tin
 SN:TIN



					OPERATION	DRAW	Loong	20181108	SCALE	FIT	SOLEPIN 东莞市硕品电子有限公司	
					X.X ±0.40	DESIGN	Jensen	20181108	UNIT	mm	DONGGUAN SOLEPIN ELECTRONICS CO., LTD.	
					X.XX ±0.25				HTTP://WWW.SOLEPIN.COM E-MALL:SALES@SOLEPIN.COM TEL:0769-83003805 FAX:0769-83003036			
					X.XXX ±0.15	CHECK	Jack	20181108	SIZE	A4	PART NO.	6644-FXXXXX01
A/1	20181108	NEW	Loong	Andy	Angle ±3°	APPROVE	Andy	20181108	SHEET	1/1	TITLE:	1.0MM BOARD TO BOARD SOCKET 10.3MM HEIGHT 单槽式
REV	DATE	MODIFICATION DESCRIPTION	CHANGE	APPROVE	DIM TOL				PROJ.	Customer No.		