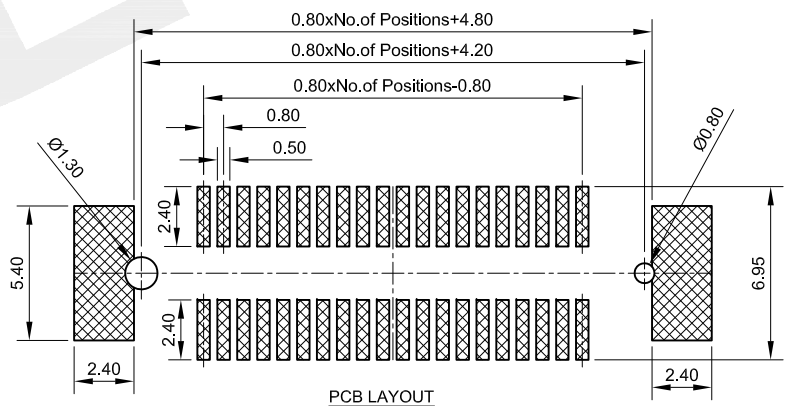
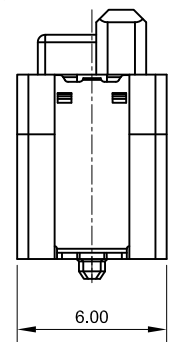
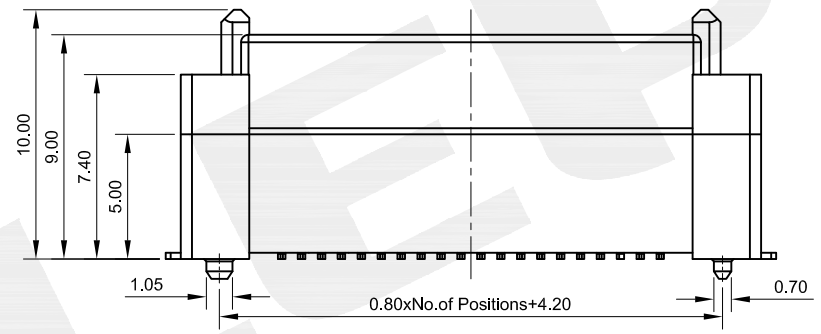
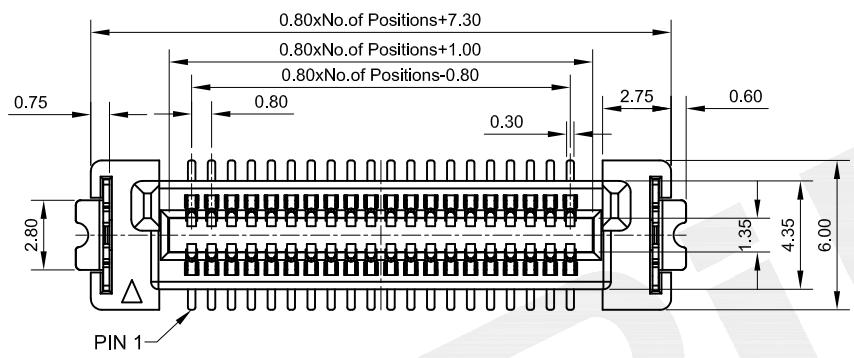
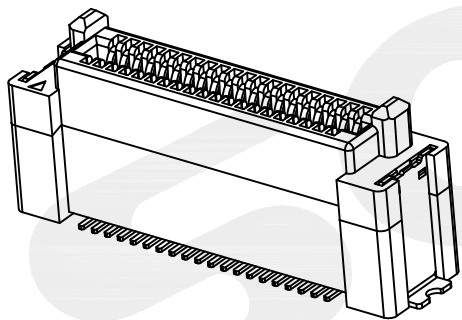


NOTES:
 INSULATOR MATERIAL:LCP UL94V-0
 CONTACT MATERIAL:PHOSPHOR BRONZE
 CURRENT RATING:1.5A
 CONTACT RESISTANCE:50MILLIOHM MAX
 INSULATION RESISTANCE:1000MΩ MIN
 DIELECTRIC WITHSTANDING:AC 500V
 OPERATION TEMPERATURE:-40 °C TO +105 °C

PART NO:6661-M XX XX X 01
 NO.OF PINS
 40-200PIN
 3:PA9T

G0=Gold Flash
 G1=1u" Gold
 G3=5u" Gold
 G5=10u" Gold
 S0=Gold Flash/Tin
 S1=1u" Gold/Tin
 S3=5u" Gold/Tin
 S5=10u" Gold/Tin
 SN:TIN



					OPERATION	DRAW	Loong	2018/11/08	SCALE	FIT	SOLEPIN 东莞市硕品电子有限公司		
					X.X ±0.40	DESIGN	Jensen	2018/11/08	UNIT	mm	DONGGUAN SOLEPIN ELECTRONICS CO., LTD. Specializing in the production of connectors and wiring harness products. HTTP://WWW.SOLEPIN.COM E-MAIL:SALES@SOLEPIN.COM TEL:0769-83003805 FAX:0769-83003036		
					X.XX ±0.25		CHECK	Jack	2018/11/08	SIZE	A4	PART NO.	6632-FXXXXXXXXBM01
A/1	2018/11/08	NEW	Loong	Andy	X.XXX ±0.15			APPROVE	Andy	2018/11/08	SHEET	1/1	TITLE:
REV	DATE	MODIFICATION DESCRIPTION	CHANGE	APPROVE	DIM TOL	APPROVE	Andy	2018/11/08	PROJ.		DWG.No.		