

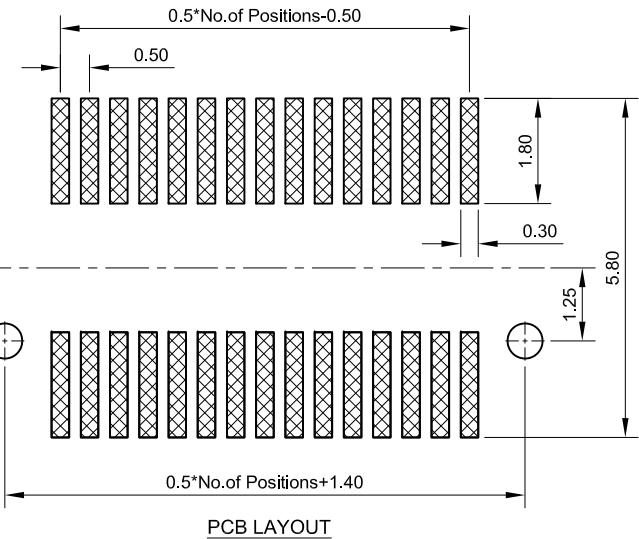
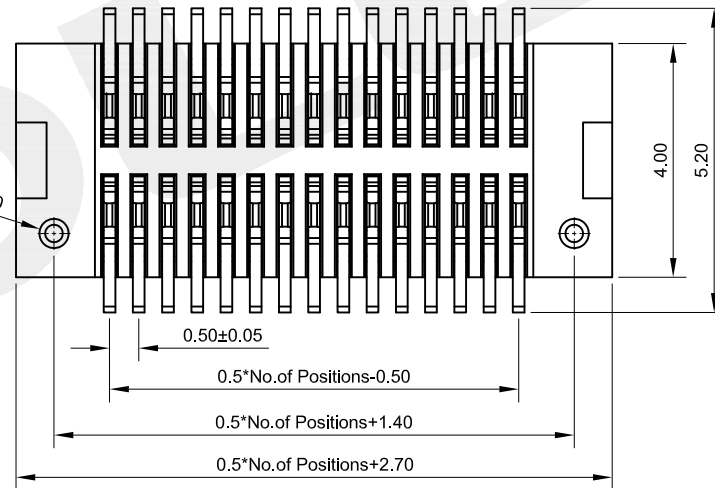
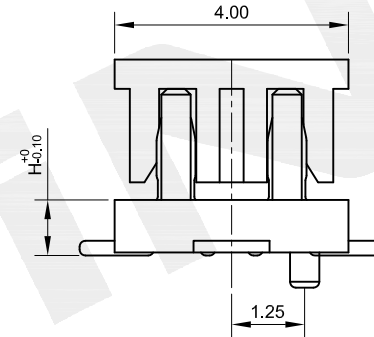
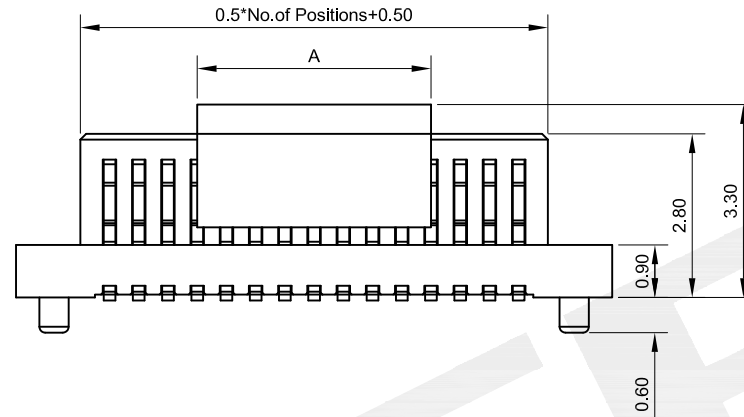
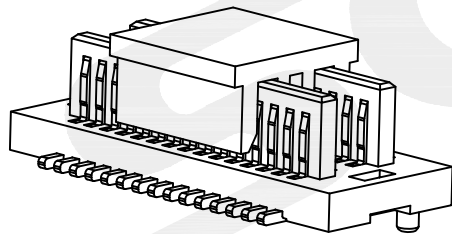
NOTES:
 INSULATOR MATERIAL:PA9T+30%G.F UL94V-0
 CONTACT MATERIAL:PHOSPHOR BRONZE
 CURRENT RATING:0.5A
 CONTACT RESISTANCE:60mΩ MAX
 WITHSTAND VOLTAGE:500V AC/DC
 INSULATION RESISTANCE:100MΩ MIN
 OPERATION TEMPERATURE:-40℃ TO +105℃

PART NO:6613-M XX XX X 01

No.of pins 3:PA9T

G0=Gold Flash
 G1=1u" Gold
 G3=5u" Gold
 G5=10u" Gold
 S0=Gold Flash/Tin
 S1=1u" Gold/Tin
 S3=5u" Gold/Tin
 S5=10u" Gold/Tin
 SN:TIN

PIN'S	DIM A
4~34	4.00
36~100	8.00



					OPERATION	DRAW	Loong	20181108	SCALE	FIT	SOLEPIN 东莞市硕品电子有限公司		
					X.X	±0.40	DESIGN	Jensen	20181108	UNIT	mm	DONGGUAN SOLEPIN ELECTRONICS CO., LTD.	
					X.XX	±0.25	CHECK	Jack	20181108	SIZE	A4	PART NO.	6613- MXXXXX01
					X.XXX	±0.15	APPROVE	Andy	20181108	SHEET	1/1	TITLE:	0.5mm BTB PLUG SMT
REV	DATE	MODIFICATION DESCRIPTION	CHANGE	APPROVE	DIM	TOL	APPROVE	Andy	20181108	PROJ.	Customer No.		
A/1	20181108	NEW	Loong	Andy	Angle	±3°							

Specializing in the production of connectors and wiring harness products.
 HTTP://WWW.SOLEPIN.COM E-MALL:SALES@SOLEPIN.COM TEL:0769-83003805 FAX:0769-83003036