

客户图

NOTES:

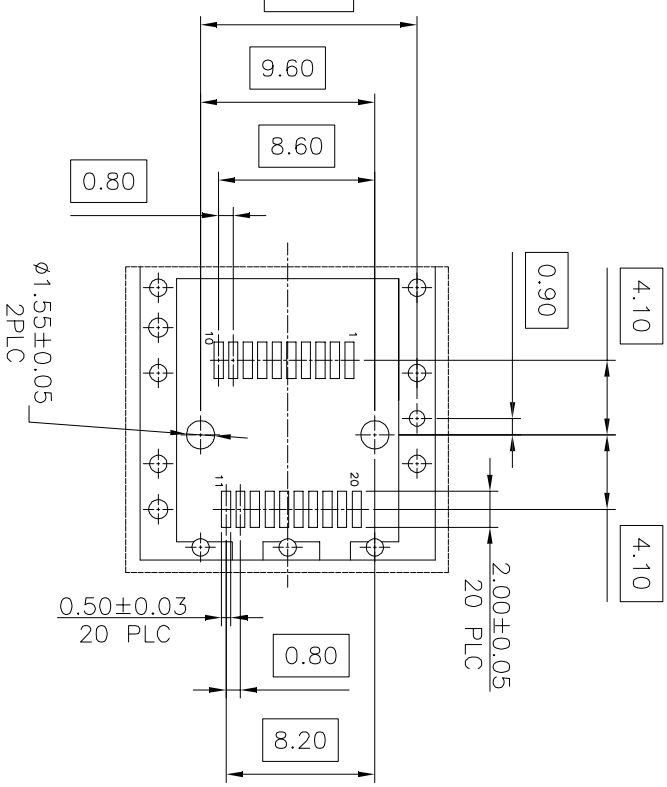
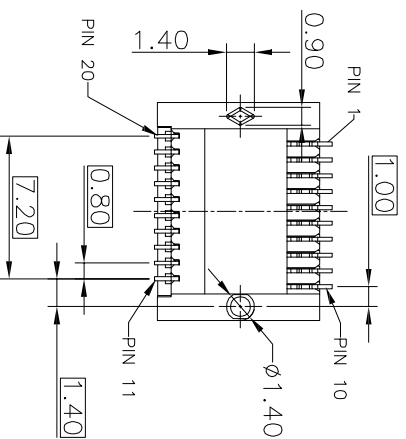
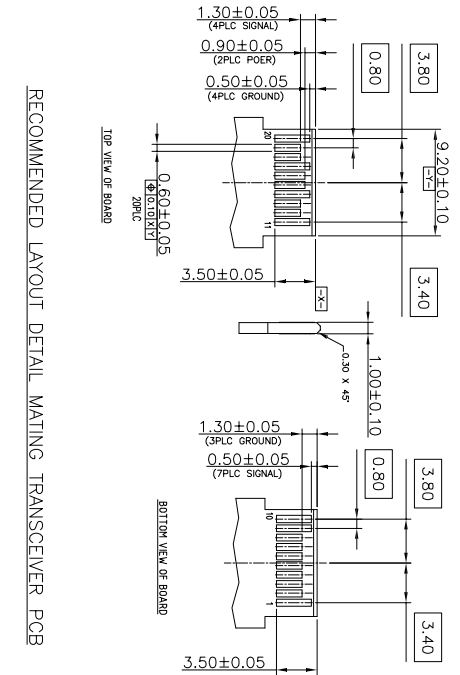
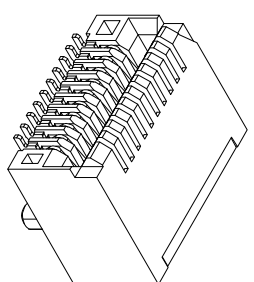
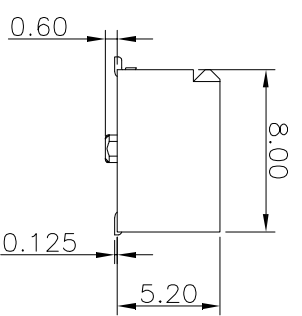
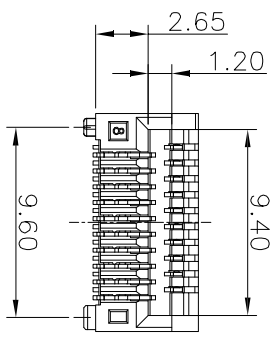
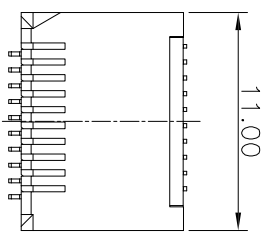
- FINISH:
 - HOUSING: LCP BLACK,UL94V-0.
 - CONTACT: C5210,GOLD (SEE P/N) PLATED IN CONTACT AREA, 80u" MIN MATTE TIN PLATED IN SOLDER AREA,50u" MIN. NICKEL UNDERPLATED OVERALL.
- ELECTRICAL:
 - VOLTAGE RATING:50V AC/DC;
 - CURRENT RATING:0.5A;
 - DIELECTRIC WITHSTANDING VOLTAGE: 200V AC/MINUTE.
 - CONTACT RESISTANCE: 80mΩ MAX.
 - INSULATION RESISTANCE: 500MΩ MIN.
 - OPERATION TEMPERATURE:-40°C TO +125°C.
- ORDER INFORMATION:

61C6-020 XX 052 C 01

Pin 数码
SPE TABLE
020=20PIN

塑胶高度:
052=5.20mm C=TRAY

包装方式:



RECOMMENDED LAYOUT DETAIL MATING TRANSCEIVER PCB

REV	DATE	MODIFICATION DESCRIPTION	CHANGE	APPROVE	OPERATION		DRAW	WLY	Professional connector manufacturer				
					DIM.	TOL			UNIT	SCALE	PROJ.	SHEET	PART NO.
A0		NEW			X.X	±0.40	DESIGN	Jensen	2021.04.08	A4	61C6-020XX052C01	0.8mm SFP Connector	SP-880
					X.XX	±0.25	CHECK	Jack	2021.04.08	1/1			
					X.XXX	±0.15	APPROVE	Andy	2021.04.08	1/1			
					Angle	±3°							

SOLEPIN 东莞市硕品电子有限公司
DONGGUAN SOLEPIN ELECTRONICS CO., LTD.